

Versatile, medium capacity reel

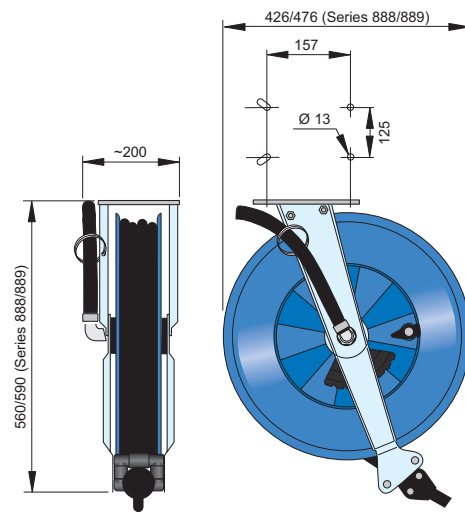


Nederman Series 888 / 889

A reliable, medium sized hose reel for safe and maintenance-free operation.

- Outlet slot position can be adjusted through 120° for optimal pull-out angle.
- Spring tension is easily adjusted.
- Latch function is easily disengaged.

Anti-corrosion and stainless steel models available (see pages 11 and 12).



Weight incl. hose: 11 - 16 kg Material recycling: 100 %

Use for	Max. working pressure MPa (psi)	Distribution hose		Connection hose*	Hose material	Hose type (see page 17)	Reel with hose Part no.	Reel without hose Part no.
		Int. Ø mm (in)	Length m	Int. Ø mm (in)				
Air / Water	1.5 (220)	10 (3/8)	15	12.5 (1/2)	PVC/PUR	B	30800688	30800388
		10 (3/8)	15		Rubber	C	30850688	30800388
		10 (3/8)	20		PVC/PUR	B	30800689	30800589
		10 (3/8)	20		Rubber	C	30850689	30800589
		12.5 (1/2)	10		PVC/PUR	B	30800888	30800788
		12.5 (1/2)	10		Rubber	C	30850888	30800788
		12.5 (1/2)	15		PVC/PUR	B	30800889	30800789
		12.5 (1/2)	15		Rubber	C	30850889	30800789
Water – food grade hose	1.5 (220)	12.5 (1/2)	10	12.5 (1/2)	Rubber	E	30801088	-
			13+2			E	30801089	-
HP water	20 (2900)	10 (3/8)	15	10 (3/8)	Rubber	G	30801888	30801788
			18			G	30801889	30801789
Oil	7.5 (1090)	12.5 (1/2)	10	12.5 (1/2)	Rubber	I	30801688	30801588
			15			I	30801689	30801589
Grease	35 (5075)	6 (1/4)	15	6 (1/4)	Rubber	J	30802688	30802588

* Connection hose = 1 m long